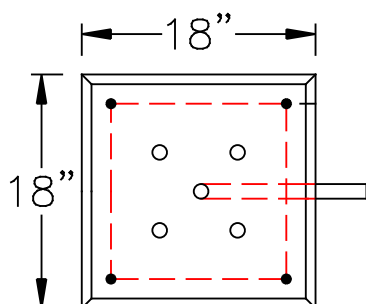
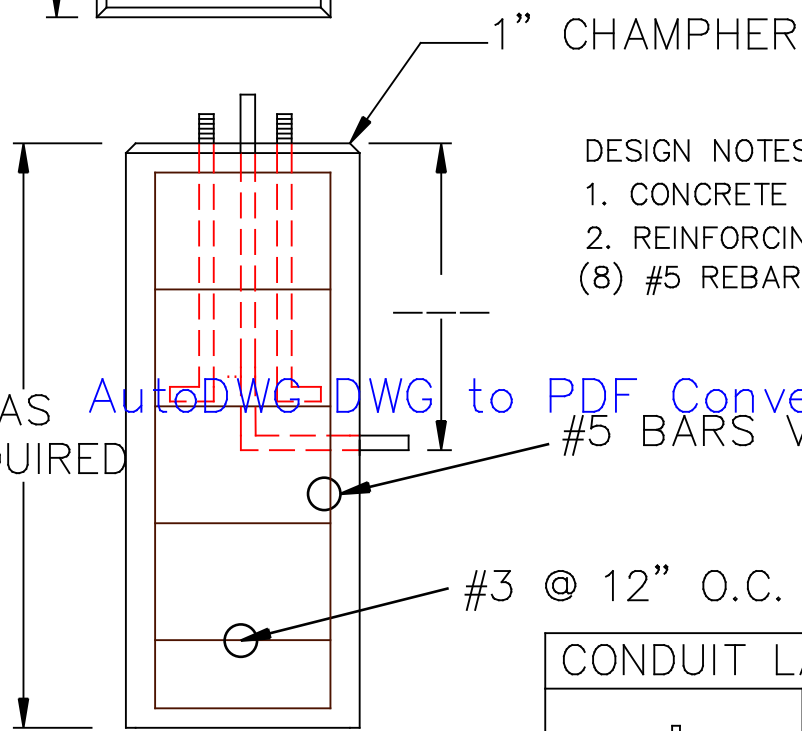


18" X 18" X AS REQUIRED LIGHT BASE



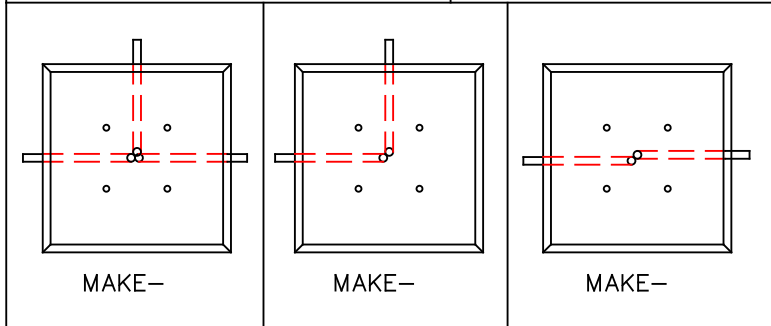
- BOLT CIRICLE _____
- BOLT PROJECTION _____
- BOLTS _____
- CONDUIT - _____
- CONDUIT DEPTH - _____
- GROUND ROD - _____



- DESIGN NOTES:
1. CONCRETE 5,000 PSI @ 28 DAYS
 2. REINFORCING #3TIES @ 12" O.C.,
(8) #5 REBAR VERTICALS EQUAL SPACED

AutoDWG DWG to PDF Converter Trial Version

CONDUIT LAYOUT:



	SCITUATE COMPANIES	SCITUATE RAY PRECAST 120 CLAY PIT ROAD MARSHFIELD, MA 02050 PHONE # 1-800-440-0009 FAX # 781-837-4320
	CONTRACTOR: _____	JOB NAME: _____

Note: Note: Please buy the software, enter the license code, the note and watermark will be removed.

DATE: _____	DRAWING: SRP-LB1818	DRAWING BY: C. J. SCOTT
-------------	---------------------	-------------------------