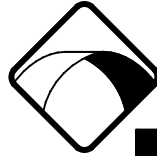
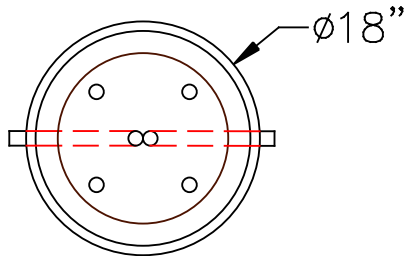
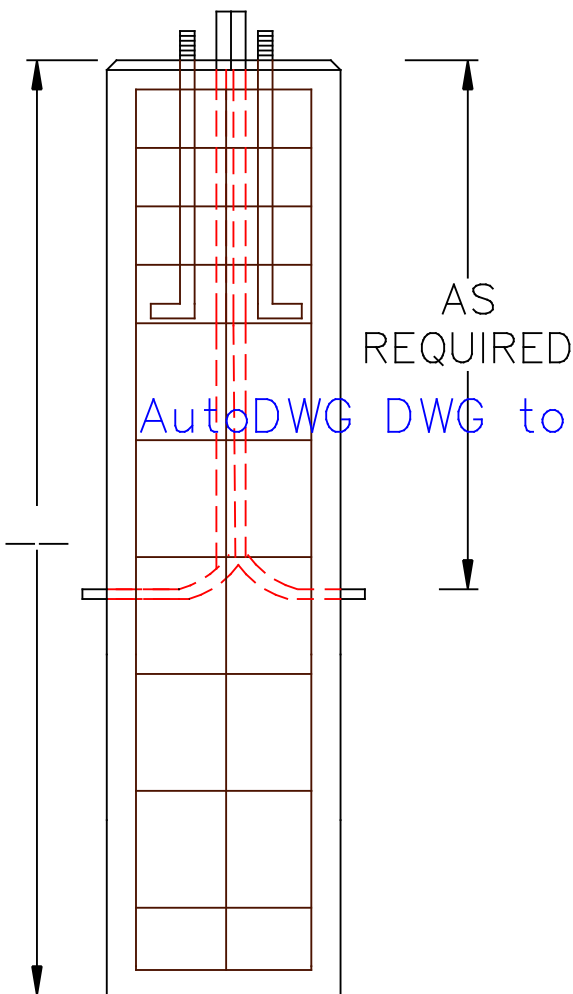


18" DIA X AS REQUIRED LIGHT BASE



NPCA

Precast ... The Concrete Solution.



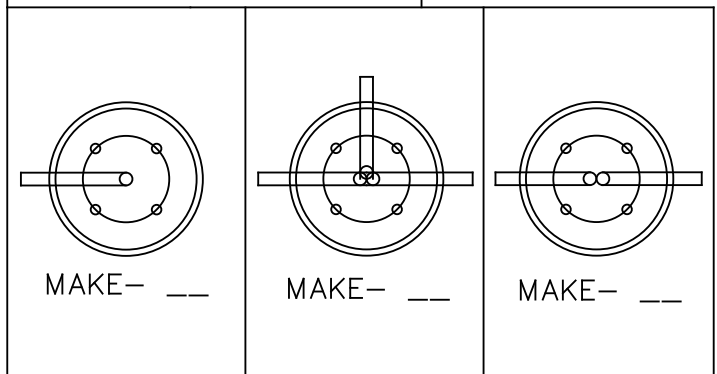
- BOLT CIRCLE _____
- BOLT PROJECTION _____
- BOLTS _____
- CONDUIT - _____
- CONDUIT DEPTH - _____
- GROUND ROD - _____

DESIGN NOTES:

1. CONCRETE 5,000 PSI @ 28 DAYS
2. REINFORCING #3 TIES @ 8" O.C.,
(12) #5 REBAR VERTICALS EQUAL SPACED

AutoDWG DWG to PDF Converter Trial Version

CONDUIT LAYOUT:



SCITUATE RAY PRECAST
120 CLAY PIT ROAD
MARSHFIELD, MA 02050
PHONE # 1-800-440-0009
FAX # 781-837-4320

CONTRACTOR:

JOB NAME:

Note: Note: Please buy the software, enter the license code, the note and watermark will be removed.

DATE:

DRAWING: SRP-LB18R

DRAWING BY:

C. J. SCOTT