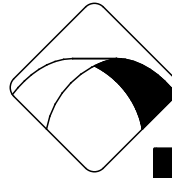
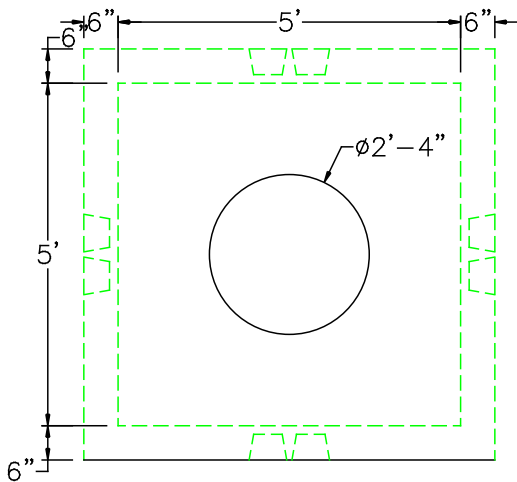


# PRIMARY/SECONDARY PULL BOX PBNE17



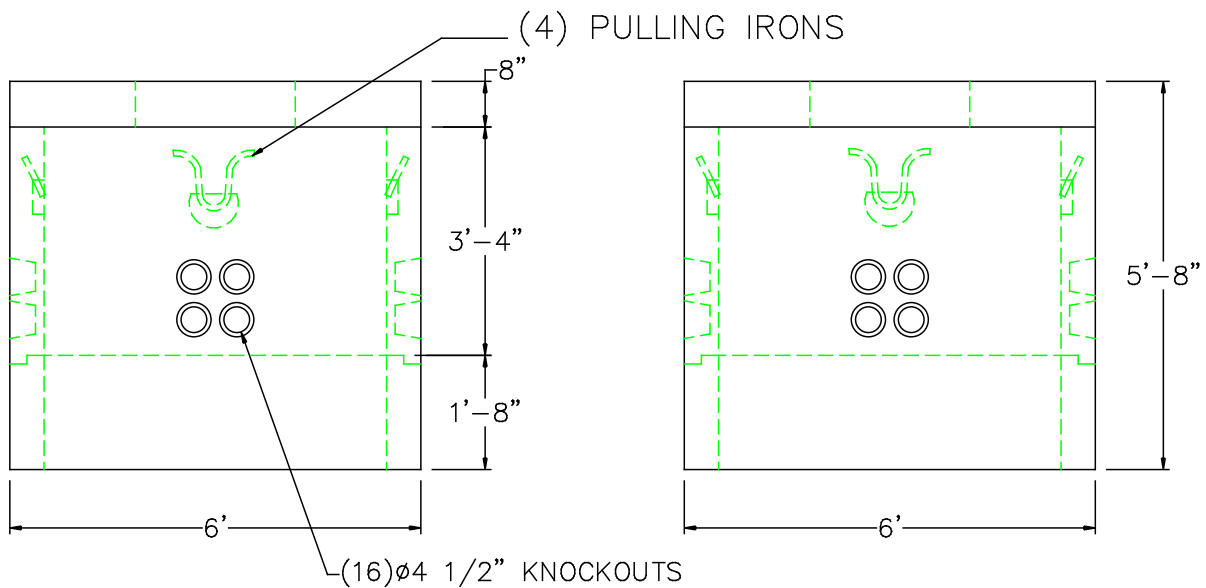
## NPCA

**Precast ... The Concrete Solution.**



### DESIGN NOTES:

1. CONCRETE 5,000 PSI @ 28 DAYS
2. REINFORCEMENT ASTM A-615 GRADE 60, 1" MIN. COVER
3. DESIGNED FOR H-20 LOADING
4. OPENINGS AS REQUIRED



SCITUATE RAY PRECAST  
 120 CLAY PIT ROAD  
 MARSHFIELD, MA 02050  
 PHONE # 1-800-440-0009  
 FAX # 781-837-4320

CONTRACTOR:

JOB NAME:

DATE:

DRAWING: SRP-PBNE17

DRAWING BY: C. J. SCOTT