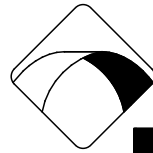
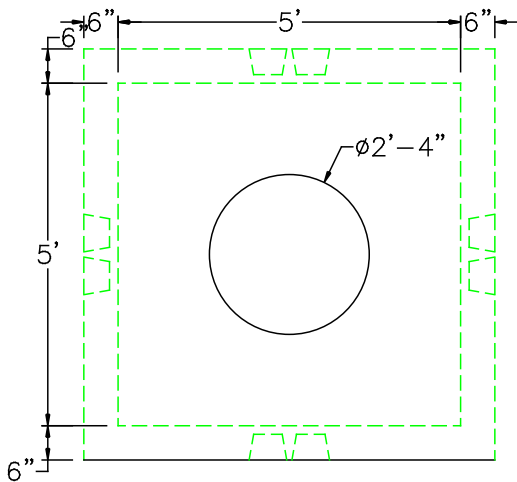


PRIMARY/SECONDARY PULL BOX



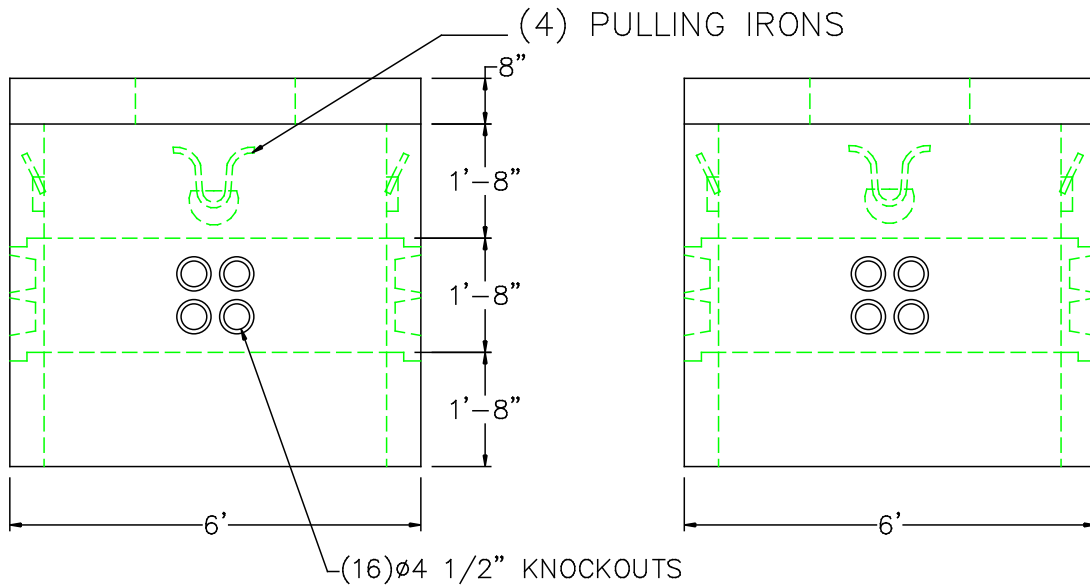
NPCA

Precast ... The Concrete Solution.



DESIGN NOTES:

1. CONCRETE 5,000 PSI @ 28 DAYS
2. REINFORCEMENT ASTM A-615 GRADE 60, 1" MIN. COVER
3. DESIGNED FOR H-20 LOADING
4. OPENINGS AS REQUIRED



SCITUATE RAY PRECAST
 120 CLAY PIT ROAD
 MARSHFIELD, MA 02050
 PHONE # 1-800-440-0009
 FAX # 781-837-4320

CONTRACTOR:		JOB NAME:	
DATE:	DRAWING: SRP-PB44PS	DRAWING BY:	C. J. SCOTT