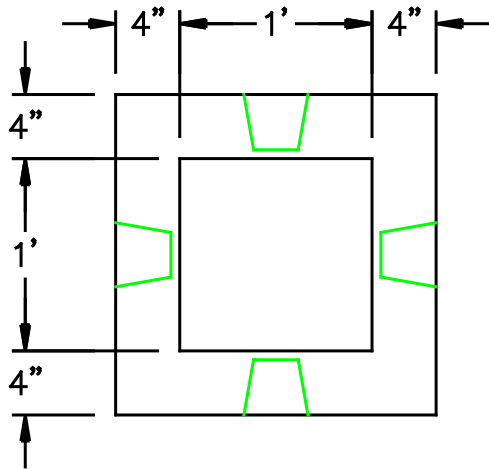
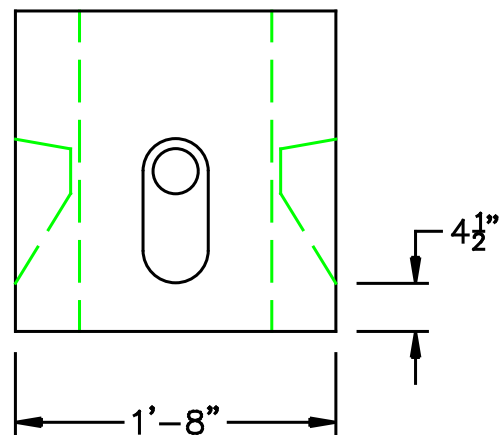
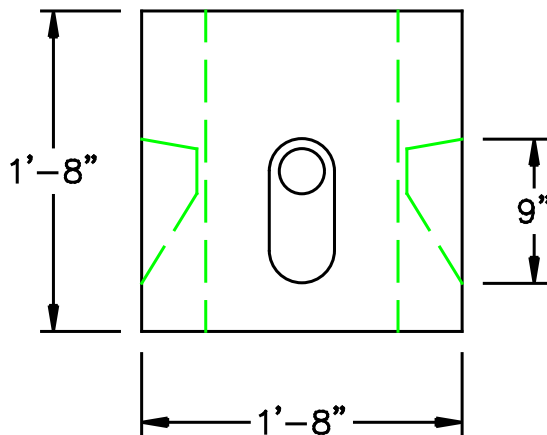


12" X 12" PULLBOX



DESIGN NOTES:

1. CONCRETE 4,000 PSI AT 28 DAYS
2. REINFORCING TO MEET OR EXCEED HS-20
3. MANUFACTURED TO MEET MASS HIGHWAY STANDARD DRAWING SD2-031
4. PRODUCT WEIGHT = 400 lbs.



SCITUATE RAY PRECAST
 120 CLAY PIT ROAD
 MARSHFIELD, MA 02050
 PHONE # 1-800-440-0009
 FAX # 781-837-4320

CONTRACTOR:

JOB NAME:

DATE:

DRAWING: SRP-PB1212

DRAWING BY: C.J. SCOTT