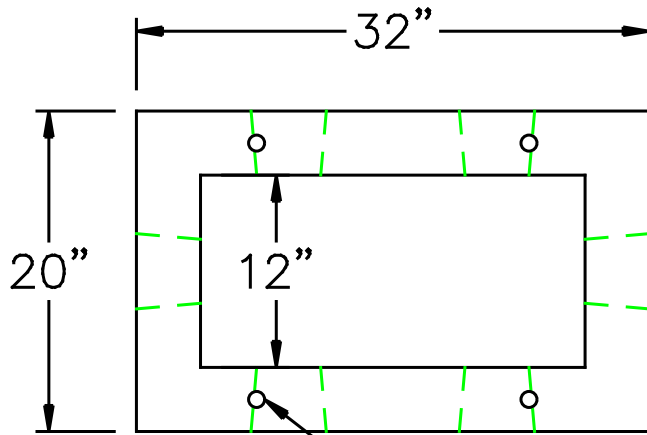
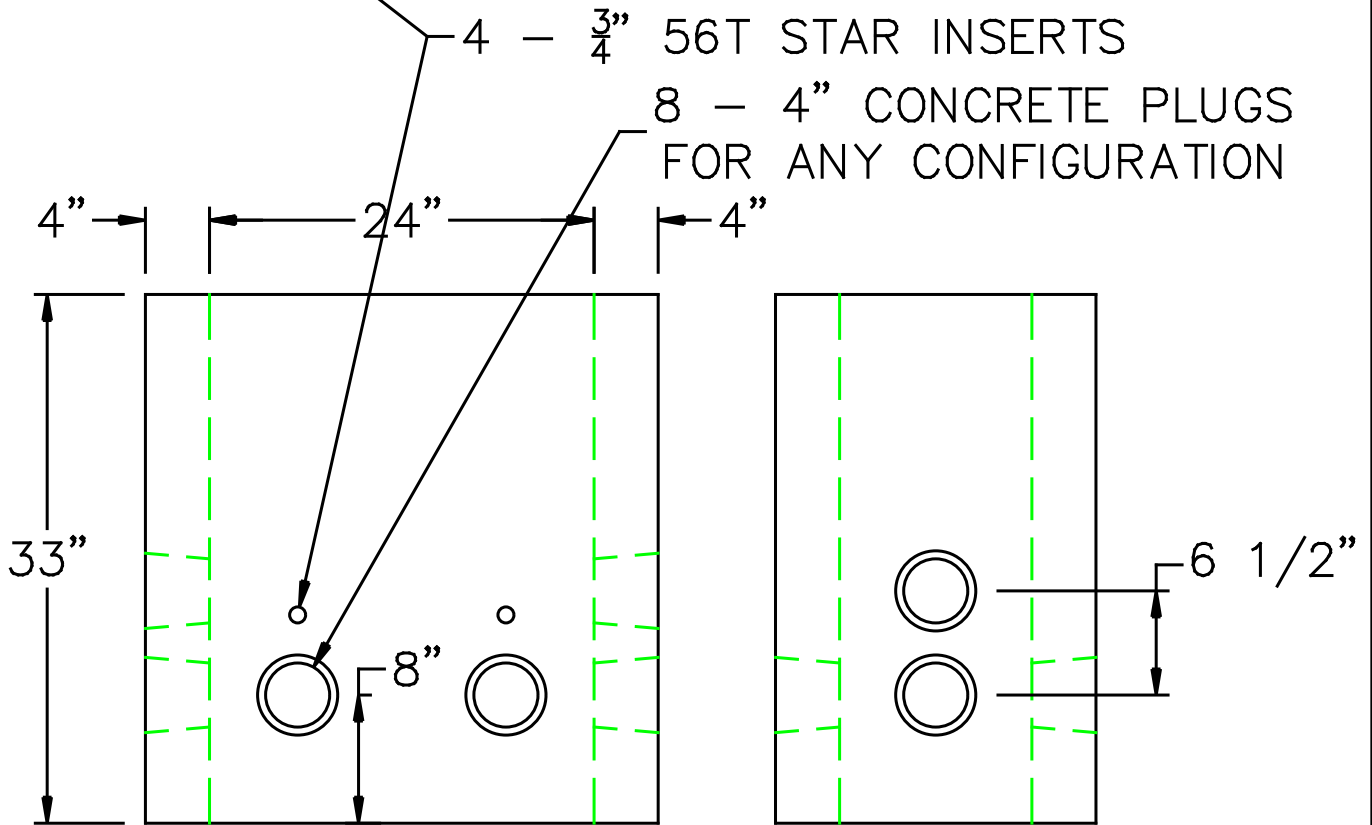


CITY OF BOSTON PULLBOX 12X24



DESIGN NOTES:

1. CONCRETE 4,000 PSI AT 28 DAYS
2. REINFORCING #5 REBAR GRADE-60
12-VERTICAL & 4-HORIZONTAL
3. WILL ACCEPT D.P.W. FRAME & COVER
4. DESIGN FOR HS20-44 LOADING



SCITUATE RAY PRECAST
 120 CLAY PIT ROAD
 MARSHFIELD, MA 02050
 PHONE # 1-800-440-0009
 FAX # 781-837-4320

CONTRACTOR:

JOB NAME:

DATE:

DRAWING: SRP-PB1224

DRAWING BY: C.J. SCOTT