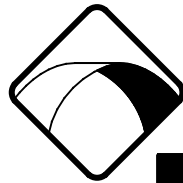
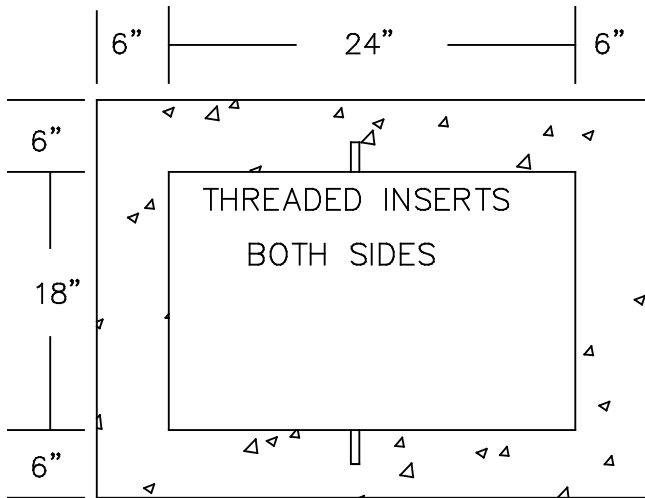


MDC HANDHOLE 18"X24"



NPCA

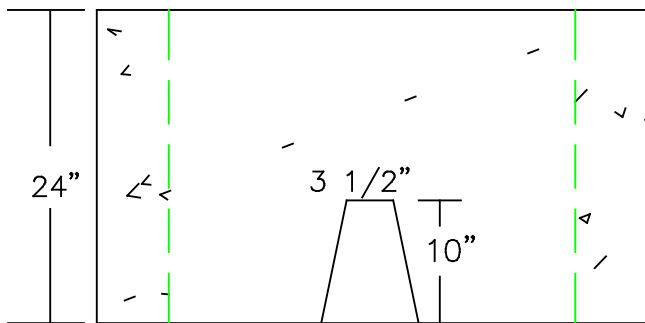
Precast ... The Concrete Solution.



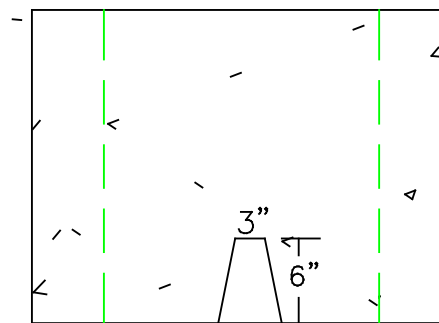
PLAN VIEW

DESIGN NOTES:

1. CONCRETE 5,000 PSI AT 28 DAYS
2. REINFORCING #5 REBAR GRADE 60 12" O.C.B.W.
3. H-20 LOADING



SECTION FRONT



SECTION END



**SCITUATE
COMPANIES**

SCITUATE RAY PRECAST
120 CLAY PIT ROAD
MARSHFIELD, MA 02050
PHONE # 1-800-440-0009
FAX # 781-837-4320

CONTRACTOR:

JOB NAME:

DATE:

DRAWING: SRP-PB1824

DRAWING BY: C.J. SCOTT

WWW.SCITUATECOMPANIES.COM