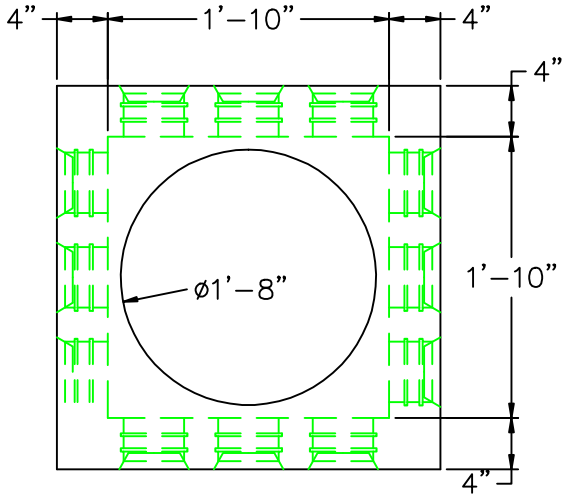
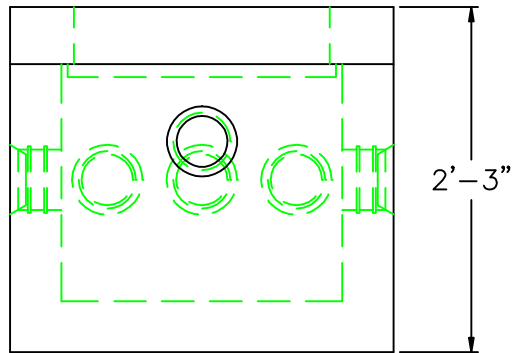
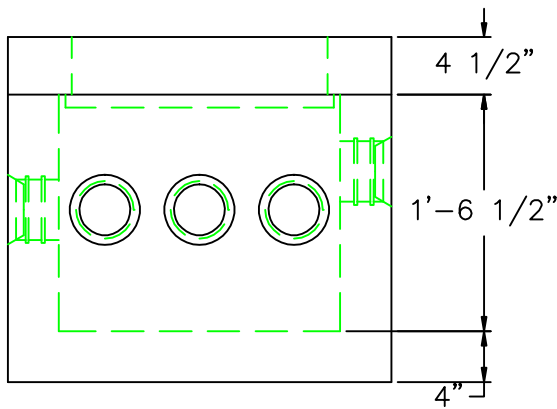


9-OUTLET DISTRIBUTION BOX



DESIGN NOTES:

1. CONCRETE 4,000 PSI @ 28 DAYS
2. KNOCK-OUT OPENINGS FOR 4" PVC
3. REINFORCING AS REQUIRED
4. 20" OPENING IN COVER
5. DESIGN LOAD AASHTO HS-20



SCITUATE RAY PRECAST
 120 CLAY PIT ROAD
 MARSHFIELD, MA 02050
 PHONE # 1-800-440-0009
 FAX # 781-837-4320

CONTRACTOR: _____

JOB NAME: _____

DATE: _____

APPROVED BY: _____

DRAWING BY: JOHN KASPER

