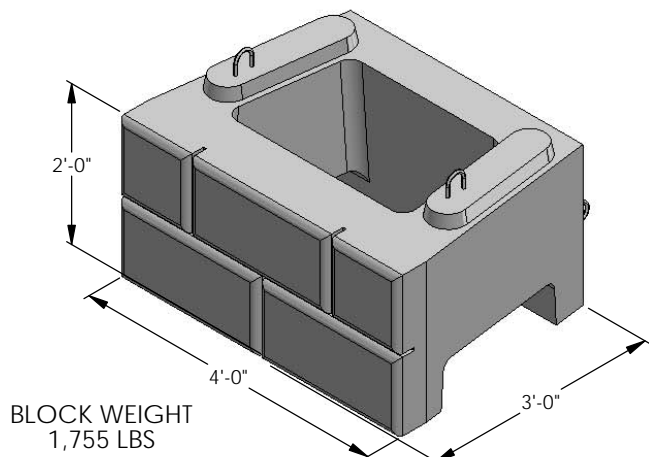
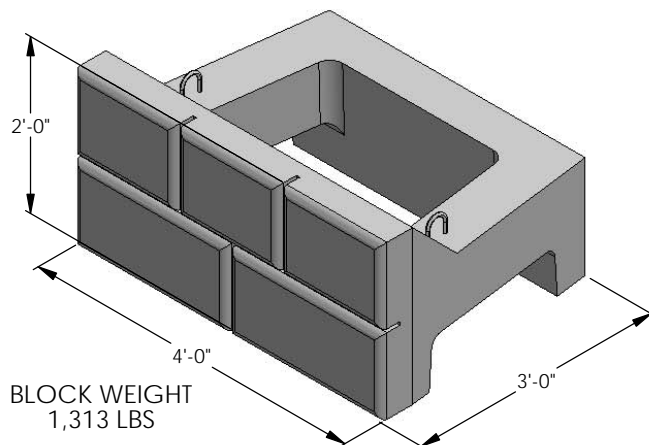


36" BLOCK SERIES

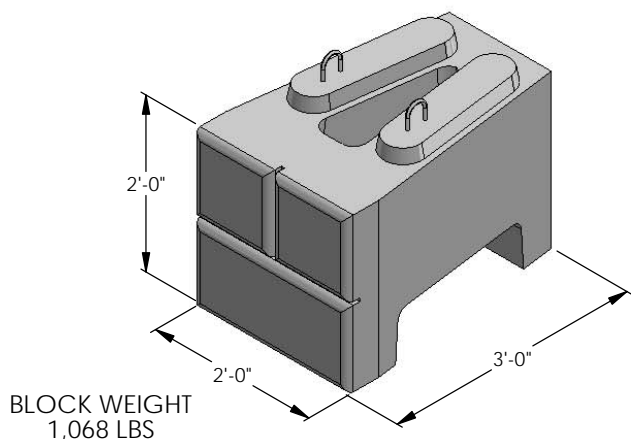
STANDARD BLOCK



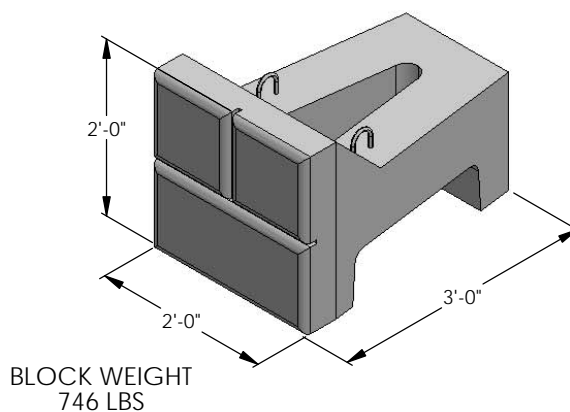
STANDARD TOP BLOCK



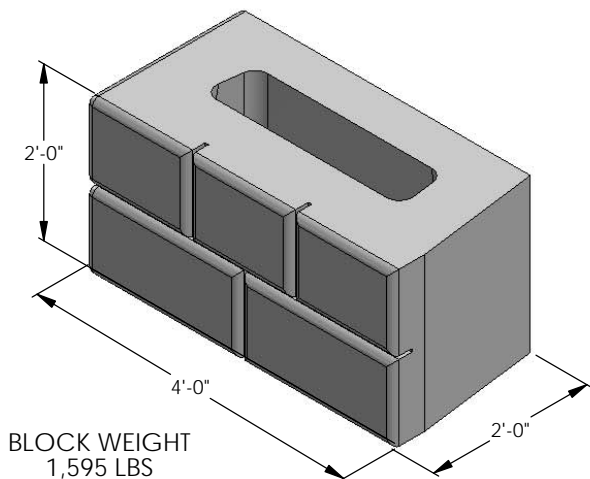
HALF BLOCK



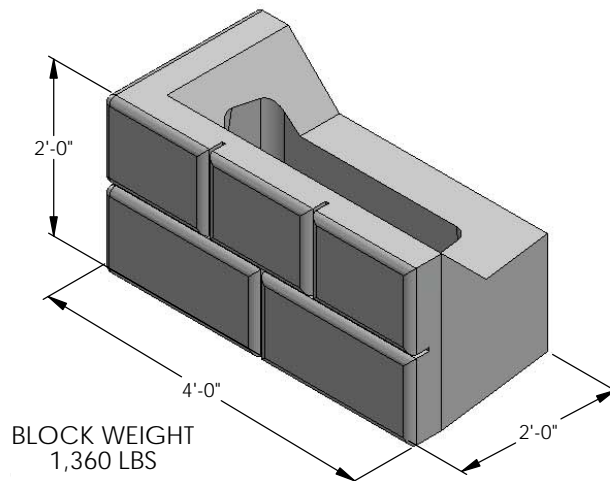
HALF TOP BLOCK



CORNER BLOCK



CORNER TOP BLOCK



DRAWN BY
DAN BALLING

DATE
11/25/2013

16500 SOUTH 500 WEST
BLUFFDALE, UTAH 84065
PHONE: (801) 571-2028

TITLE:
36" BLOCK SERIES

DWG NO.
BD-01

SCALE: 1: 20

SHEET 1 OF 1