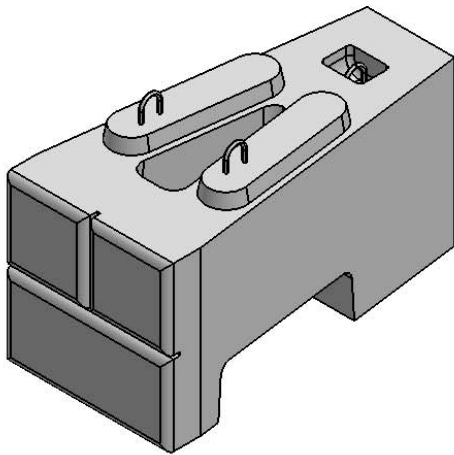
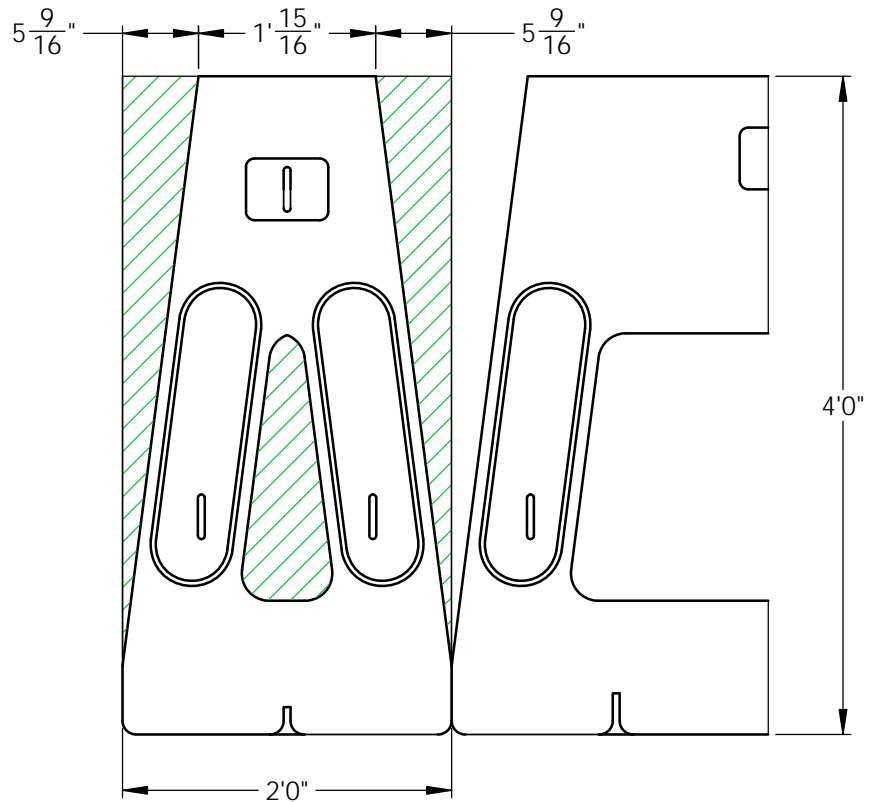


# 48" HALF BLOCK MASS EXTENDER & GRAVEL INFILL



## CONCRETE BLOCK DATA

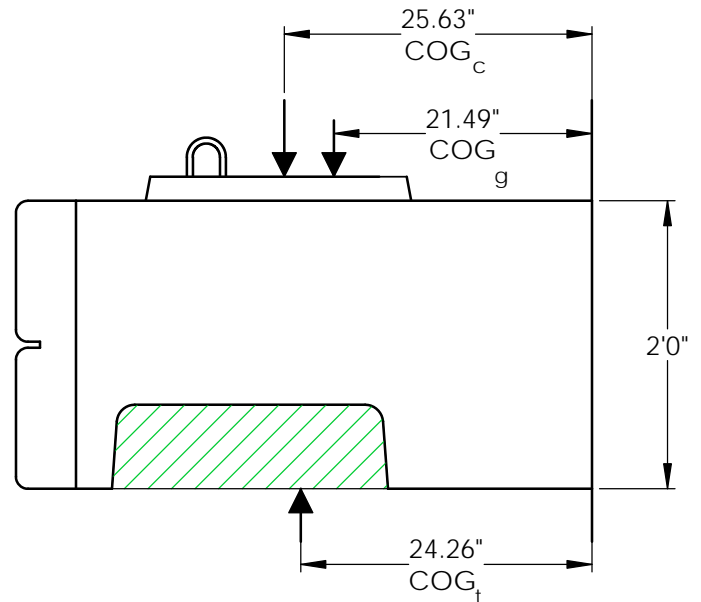
DESIGN UNIT WEIGHT ( $\gamma_c$ ) = 142 pcf  
 VOLUME ( $V_c$ ) = 9.80 cft  
 BLOCK WEIGHT ( $W_c$ ) = 1,392 lbs  
 CENTER OF GRAVITY ( $COG_c$ ) = 25.63" (SEE NOTES)

## GRAVEL INFILL DATA

DESIGN UNIT WEIGHT ( $\gamma_g$ ) = 110 pcf  
 VOLUME ( $V_g$ ) = 6.20 cft  
 GRAVEL INFILL WEIGHT ( $W_g$ ) = 682 lbs  
 CENTER OF GRAVITY ( $COG_g$ ) = 21.49" (SEE NOTES)

## COMBINED UNIT DATA

DESIGN UNIT WEIGHT ( $\gamma_t$ ) = (1,392 lbs + 682 lbs) / 16 cft = 130 pcf  
 VOLUME ( $V_t$ ) = 9.80 cft + 6.20 cft = 16.00 cft  
 TOTAL UNIT WEIGHT ( $W_t$ ) = 2,074 lbs  
 CENTER OF GRAVITY ( $COG_t$ ) = 24.26" (SEE NOTES)



## NOTES:

- VOLUME, WEIGHT AND COG CALCULATIONS WERE DONE USING CAD SOFTWARE.
- COG MEASUREMENTS ARE FROM BACK OF BLOCK



DRAWN BY	DATE	TITLE:	
R FONTANESI	11/8/2016	48" HALF MASS EXTENDER	
16500 SOUTH 500 WEST BLUFFDALE, UTAH 84065 PHONE: (801) 571-2028		DWG NO.	REV.
		BD-08	01
SCALE: NA	WEIGHT: SEE ABOVE	SHEET 1 OF 1	