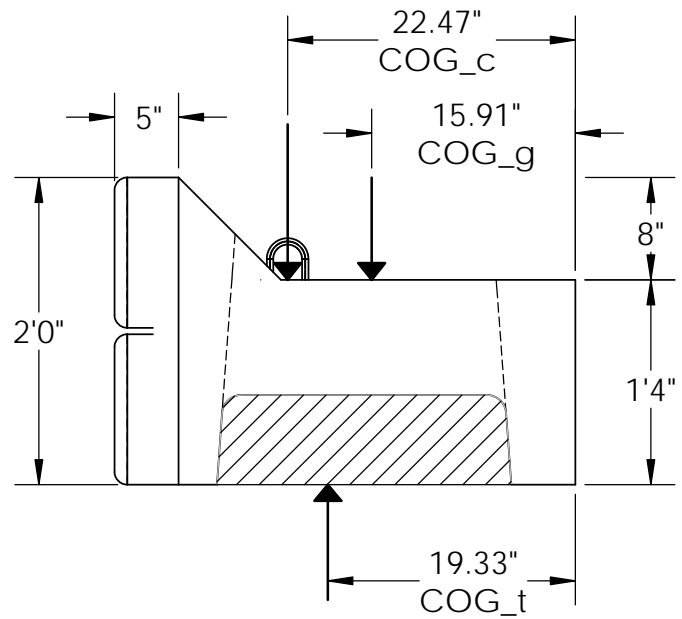
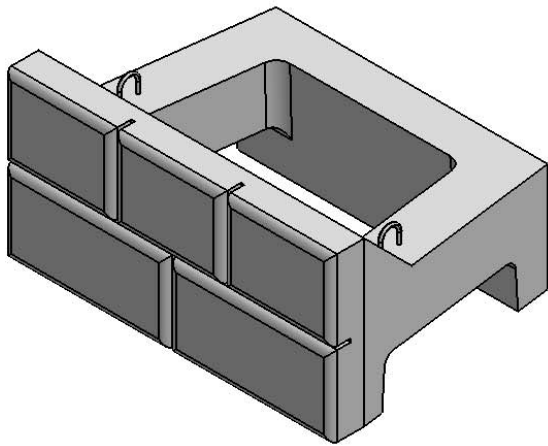
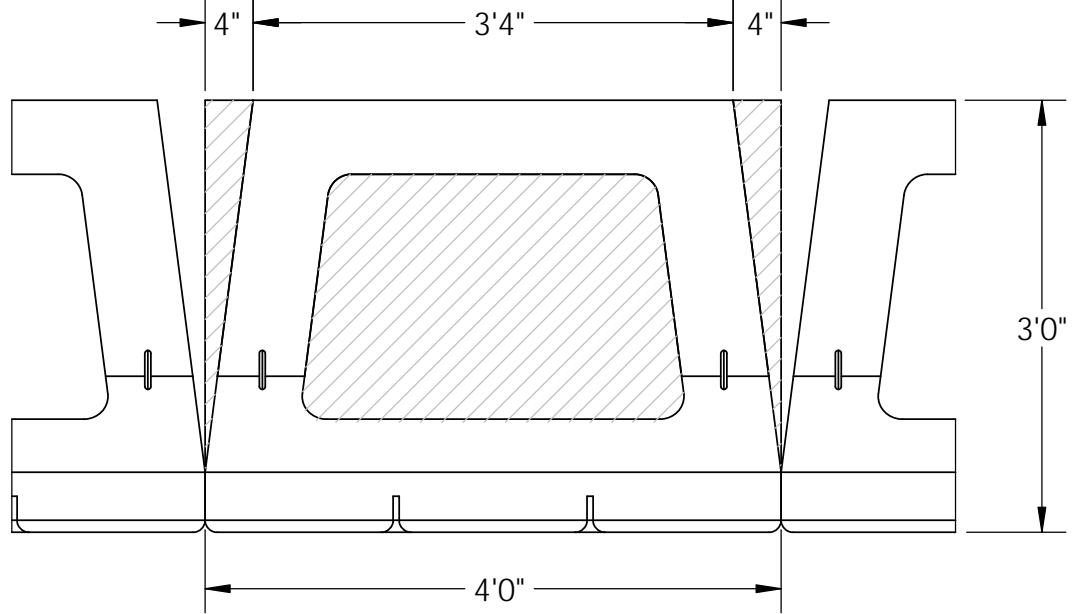


36" STANDARD BLOCK & GRAVEL INFILL



CONCRETE BLOCK DATA

DESIGN UNIT WEIGHT (γ_c) = 142 pcf
 VOLUME (V_c) = 9.24 cft
 BLOCK WEIGHT (W_c) = 1,312 lbs
 CENTER OF GRAVITY (COG_c) = 22.47" (SEE NOTES)

GRAVEL INFILL DATA

DESIGN UNIT WEIGHT (γ_g) = 110 pcf
 VOLUME (V_g) = 8.51 cft
 GRAVEL INFILL WEIGHT (W_g) = 936 lbs
 CENTER OF GRAVITY (COG_g) = 15.91" (SEE NOTES)

NOTES:

- VOLUME, WEIGHT AND COG CALCULATIONS WERE DONE USING CAD SOFTWARE.
- COG MEASUREMENTS ARE FROM BACK OF BLOCK

COMBINED UNIT DATA

DESIGN UNIT WEIGHT (γ_t) = (1,312 lbs + 936 lbs) / 17.75 cft = 127 pcf
 VOLUME (V_t) = 9.24 cft + 8.51 cft = 17.75 cft
 TOTAL UNIT WEIGHT (W_t) = 2,248 lbs
 CENTER OF GRAVITY (COG_t) = 19.33" (SEE NOTES)



DRAWN BY	DATE	TITLE:	
R FONTANESI	12/13/2016	STANDARD TOP BLOCK	
16500 SOUTH 500 WEST BLUFFDALE, UTAH 84065 PHONE: (801) 571-2028		DWG NO.	REV.
		BD-16	01
SCALE: NA	WEIGHT: SEE NOTES	SHEET 1 OF 1	