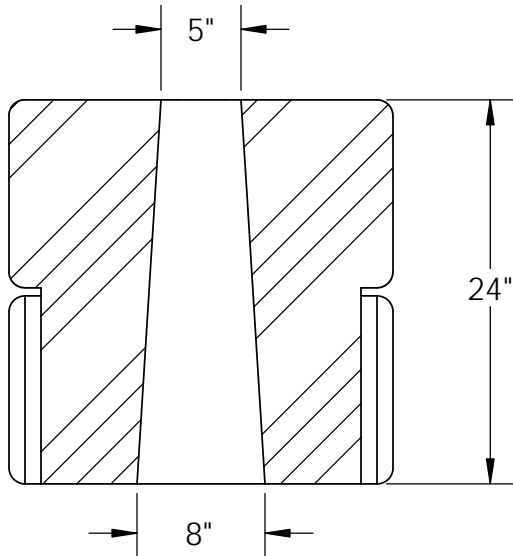


WEIGHT: 1030 LBS



SECTION A-A



DRAWN BY	DATE
R FONTANESI	3/22/2018
16500 SOUTH 500 WEST BLUFFDALE, UTAH 84065 PHONE: (801) 571-2028	

TITLE: FREE STANDING COLUMN BLOCK		REV. 01
DWG NO. BD-23		
SCALE: NA	WEIGHT: 1032.43	SHEET 1 OF 1