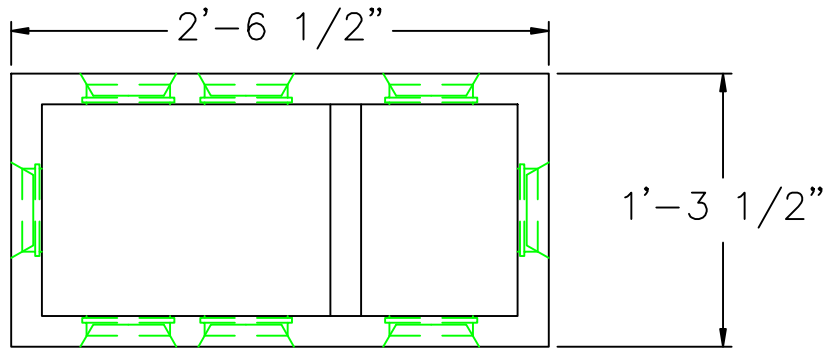
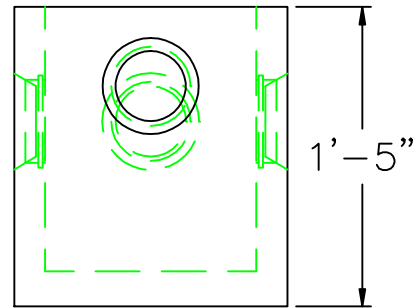
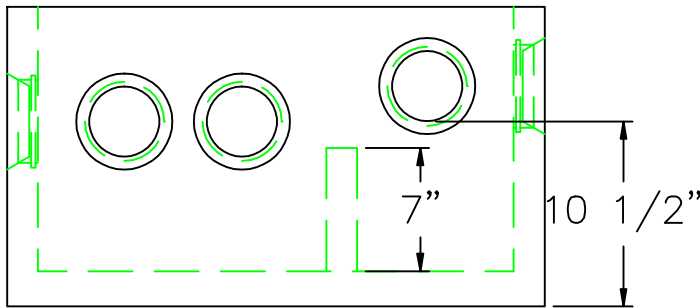


# 5-OUTLET DISTRIBUTION BOX WITH BAFFLE



D-BOX COVER



## DESIGN NOTES:

1. CONCRETE 4,000 PSI @ 28 DAYS
2. KNOCK-OUT OPENINGS FOR 4" PVC
3. 15" RISER SECTION AVAILABLE
4. H-10 & H-20 LOADING AVAILABLE

PEMBROKE CONCRETE

CONTRACTOR:

JOB NAME:

DATE:

DRAWING: DB-5

DRAWING BY: JOHN KASPER

[WWW.PEMBROKECONCRETE.COM](http://WWW.PEMBROKECONCRETE.COM)