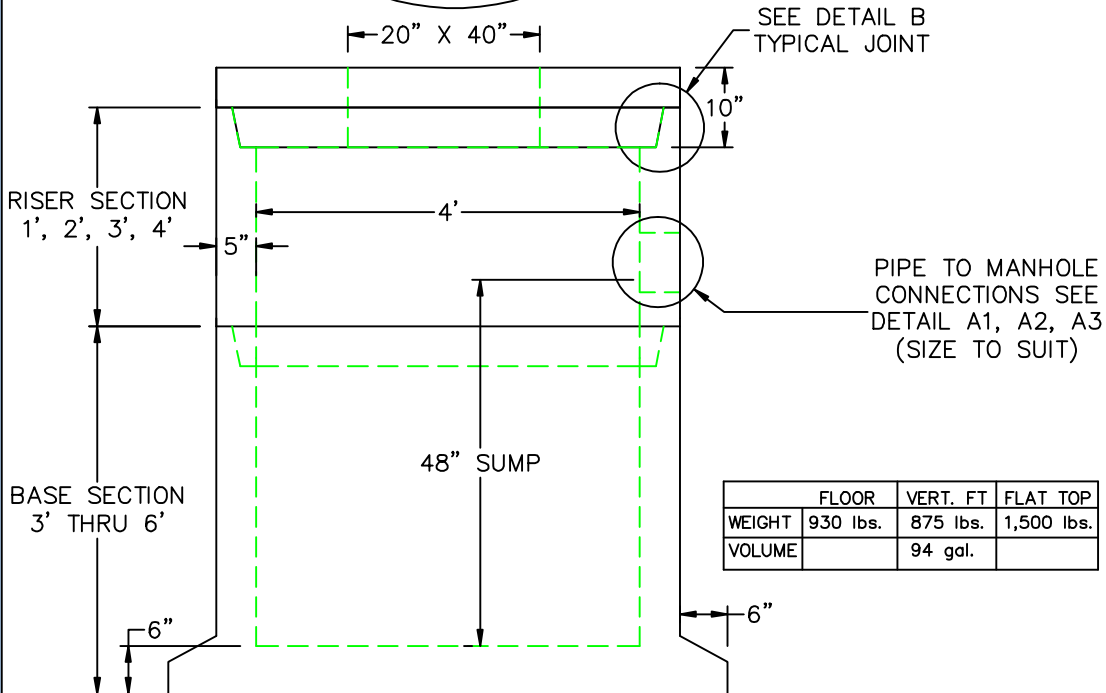
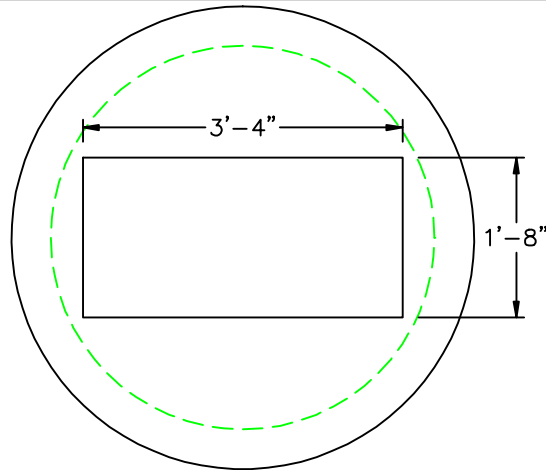


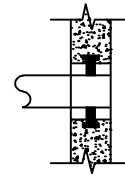
4' DIA DOUBLE CATCH BASIN EXTENDED BASE



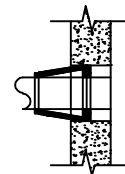
DESIGN NOTES:

1. MANUFACTURED TO MEET OR EXCEED: ASTM C-478 & AASHTO M 199 SPECS.
2. CONCRETE = 4,000 PSI. MINIMUM CEMENT PER ASTM C-478 (6.1)
3. REINFORCED STEEL CONFORMS TO LATEST ASTM A 185 SPECIFICATIONS. 0.12 SQ. IN / LINEAL FT. AND 0.12 SQ. IN (BOTH WAYS) BASE BOTTOM
4. STEEL REINFORCEMENT TO MEET OR EXCEED AASHTO HS-20 LOADING
5. MANHOLE STEPS MEET LATEST OSHA REGULATION 29 CFR1910.27, SECTION 16 OF ASTM SPECIFICATION C478 AND SECTION 10 OF ASTM SPECIFICATION C497
6. BUTYL RUBBER JOINT SEALANT PER ASTM C-990 & ASHTO M-198
7. WATER PROOFING PER CONTRACT SPECS. AS REQUIRED

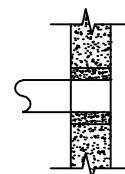
A1
COMPRESSION GASKET (CAST IN)



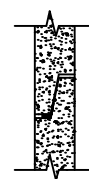
A2
FLEXIBLE SLEEVE



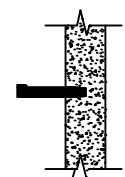
A3
NON SHRINK GROUT BY CONTRACTOR



B
BUTYL RUBBER SECTION JOINT



C
POLYPROPYLENE MANHOLE STEPS 12" O.C.



	FLOOR	VERT. FT	FLAT TOP
WEIGHT	930 lbs.	875 lbs.	1,500 lbs.
VOLUME		94 gal.	



SCITUATE RAY PRECAST
120 CLAY PIT ROAD
MARSHFIELD, MA 02050
PHONE # 1-800-440-0009
FAX # 781-837-4320

CONTRACTOR:

JOB NAME:

DATE:

DRAWING: SRP-CB4

DRAWING BY: C.J. SCOTT