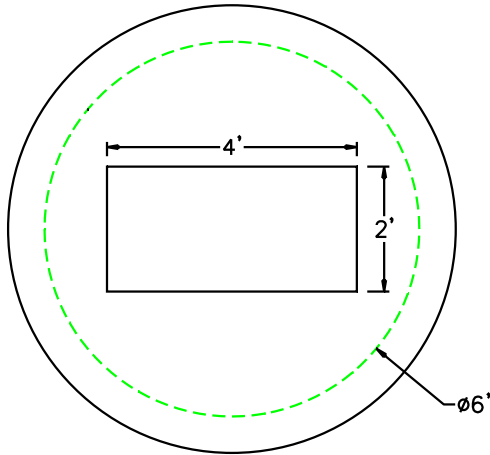
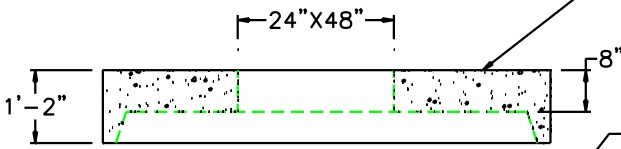


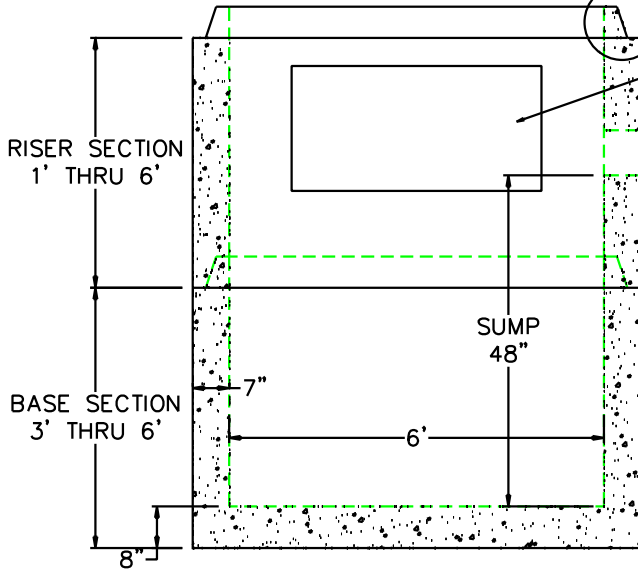
6' DIA DOUBLE CATCH BASIN WITH TWIN OULETS



FLAT TOP REINFORCED TO MEET OR EXCEED AASHTO HS-20 LOADING.



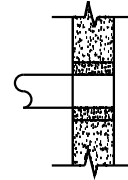
SEE DETAIL B TYPICAL JOINT



WINDOW FOR TWIN OUTLET PIPES SIZE AS REQUIRED

	FLOOR	VERT. FT	FLAT TOP
WEIGHT	1,850 lbs.	1,800 lbs.	4,200 lbs.
VOLUME		211.5 gal.	

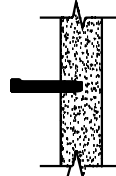
A3
MORTAR BY CONTRACTOR



B
BUTYL RUBBER SECTION JOINT



C
POLYPROPYLENE MANHOLE STEPS



DESIGN NOTES:

1. MANUFACTURED TO MEET OR EXCEED: ASTM C-478 & AASHTO M 199 SPECS.
2. CONCRETE = 4,000 PSI. MINIMUM CEMENT PER ASTM C-478 (6.1)
3. REINFORCED STEEL COMFORMS TO LATEST ASTM A 185 SPECIFICATIONS.
0.18 SQ. IN / LINEAL FT. AND 0.18 SQ. IN (BOTH WAYS) BASE BOTTOM
4. STEEL REINFORCEMENT TO MEET OR EXCEED AASHTO HS-20 LOADING
5. MANHOLE STEPS MEET LATEST OSHA REGULATION 29 CFR1910.27, SECTION 16 OF ASTM SPECIFICATION C478 AND SECTION 10 OF ASTM SPECIFICATION C497
6. BUTYL RUBBER JOINT SEALANT PER ASTM C-990 & ASHTO M-198
7. ONE POUR MONOLITHIC BASE



SCITUATE RAY PRECAST
120 CLAY PIT ROAD
MARSHFIELD, MA 02050
PHONE # 1-800-440-0009
FAX # 781-837-4320

CONTRACTOR:

JOB NAME:

DATE:

DRAWING: SRP-DCB6TO

DRAWING BY: C.J. SCOTT