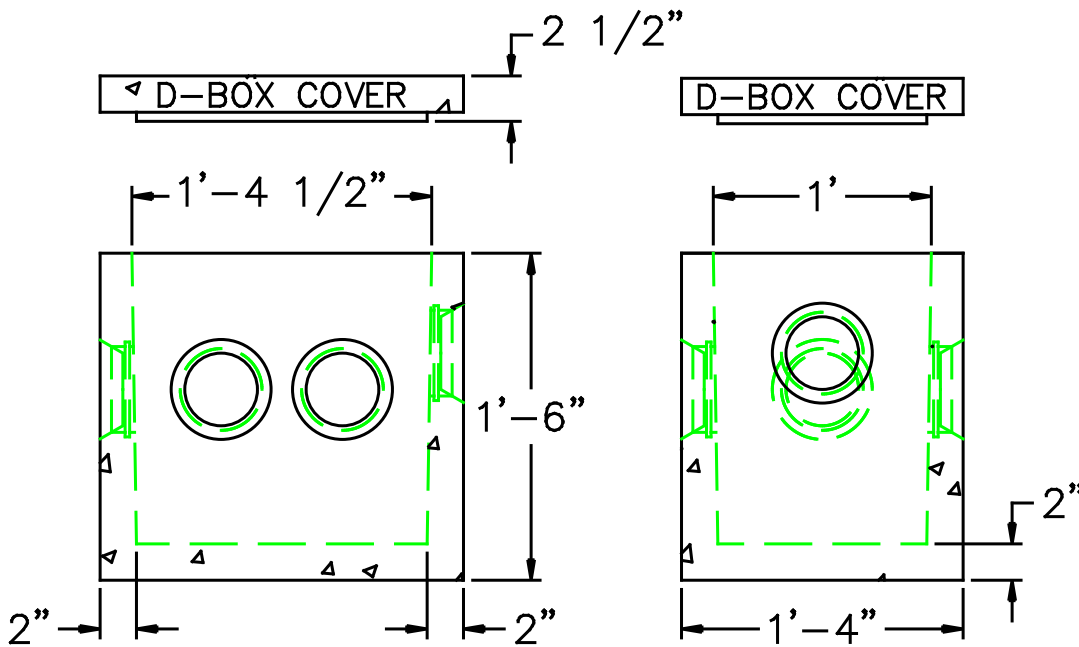
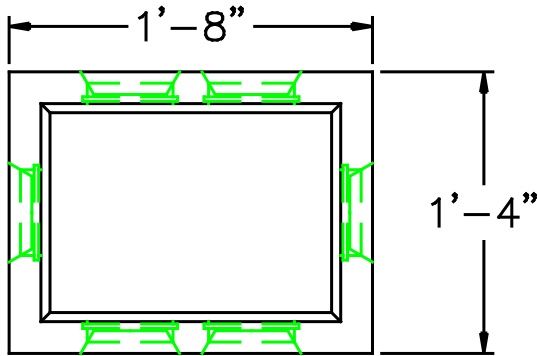


5-OUTLET DISTRIBUTION BOX



DESIGN NOTES:

1. CONCRETE 4,000 PSI @ 28 DAYS
2. KNOCK-OUT OPENINGS FOR 4" PVC
3. PRODUCT WEIGHT= 220 lbs.
4. 12" RISER SECTION AVAILABLE



**SCITUATE
COMPANIES**

SCITUATE RAY PRECAST
120 CLAY PIT ROAD
MARSHFIELD, MA 02050
PHONE # 1-800-440-0009
FAX # 781-837-4320

CONTRACTOR:

JOB NAME:

DATE:

DRAWING: DB-5

DRAWING BY: C.J. SCOTT



WWW.SCITUATECOMPANIES.COM