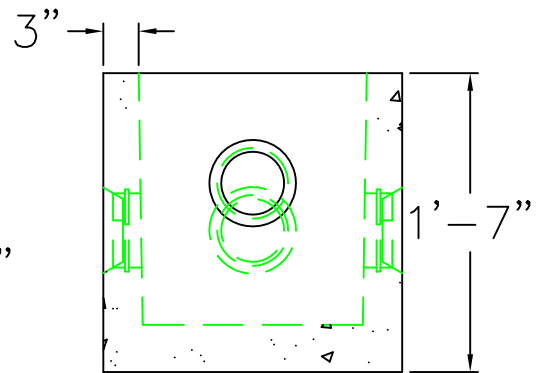
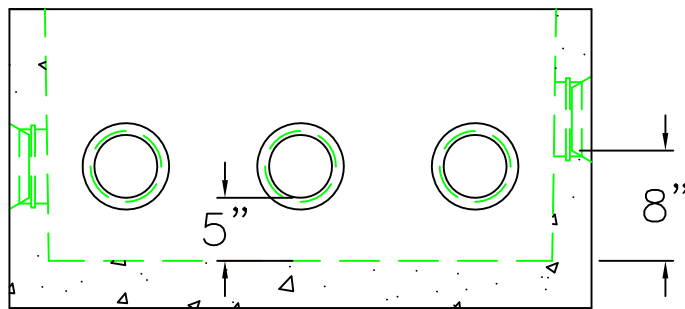
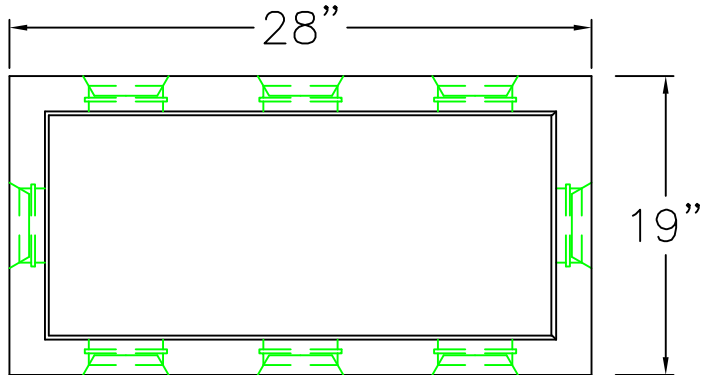


DB-7



DESIGN NOTES:

1. CONCRETE 4,000 PSI @ 28 DAYS
2. KNOCK-OUT OPENINGS FOR 4" PVC



SCITUATE RAY PRECAST  
120 CLAY PIT ROAD  
MARSHFIELD, MA 02050  
PHONE # 1-800-440-0009  
FAX # 781-837-4320



CONTRACTOR:

JOB NAME:

DATE:

DRAWING: DB-7

DRAWING BY: C.J. SCOTT

[WWW.SCITUATECOMPANIES.COM](http://WWW.SCITUATECOMPANIES.COM)