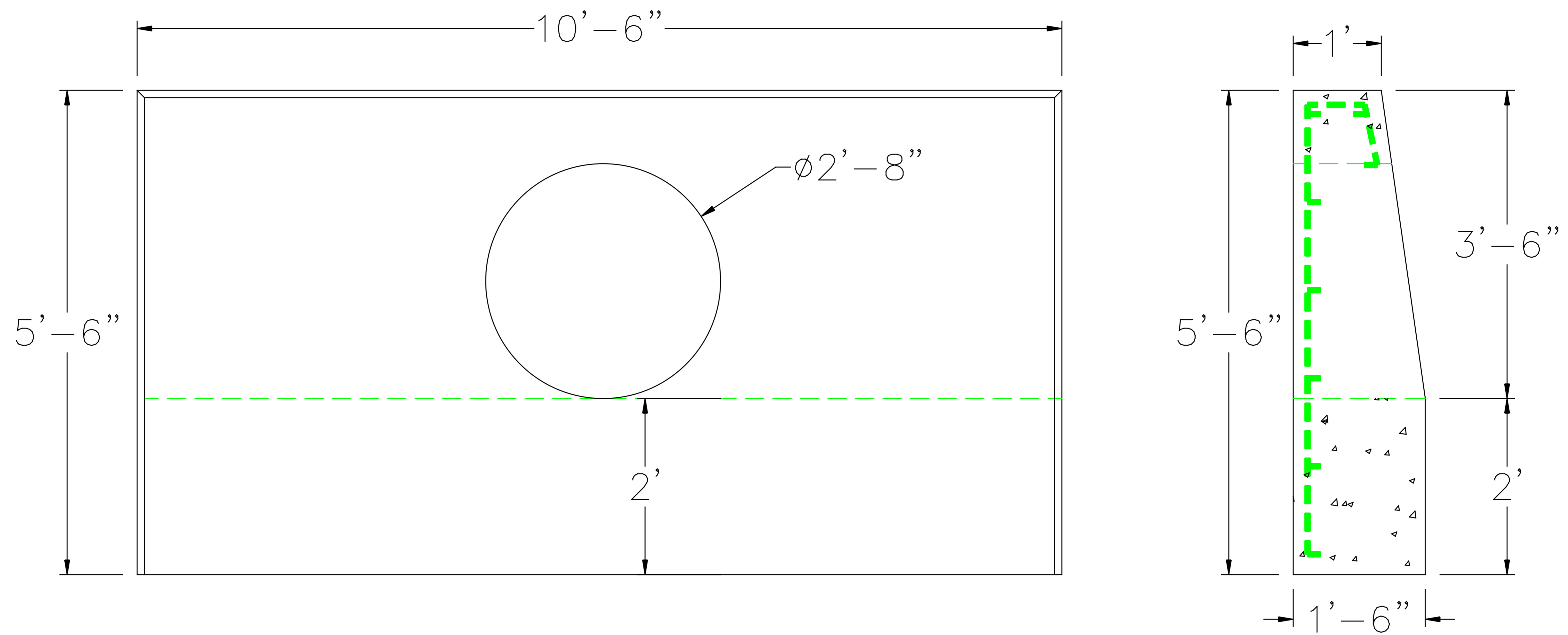
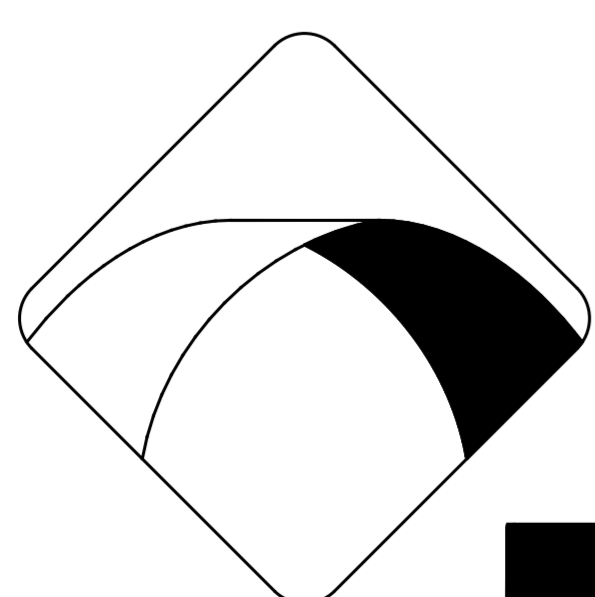


# 24" RCP HEADWALL



## DESIGN NOTES:

1. CONCRETE 5,000 PSI @ 28 DAYS
2. REINFORCEMENT ASTM A-615 GRADE  
60, 2" MIN. COVER #5 REBAR 12" O.C. 1 1/2" CLEARANCE
3. CONFORMS TO MHD STANDARD Dwg.206.4 - 1 1/2 : 1 SLOPE
4. WEIGHT = 8,700 lbs.



# NPCC

Precast ... The Concrete Solution.



SCITUATE RAY PRECAST  
120 CLAY PIT ROAD  
MARSHFIELD, MA 02050  
PHONE # 1-800-440-0009  
FAX # 781-837-4320

CONTRACTOR:

JOB NAME:

DATE:

DRAWING: SRP-HW24

DRAWING BY:

C. J. SCOTT