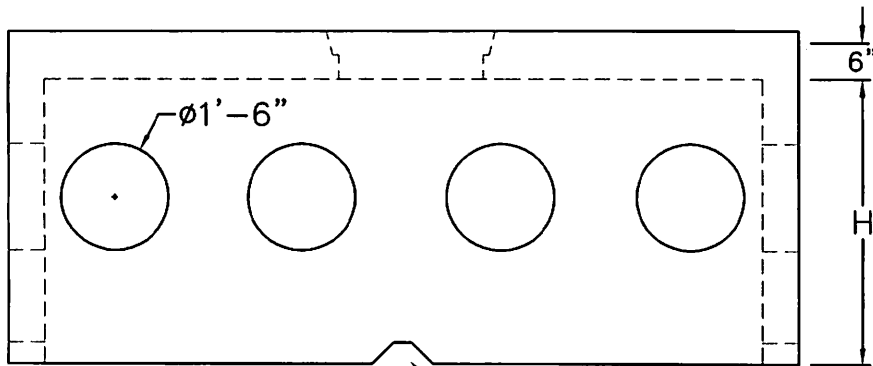
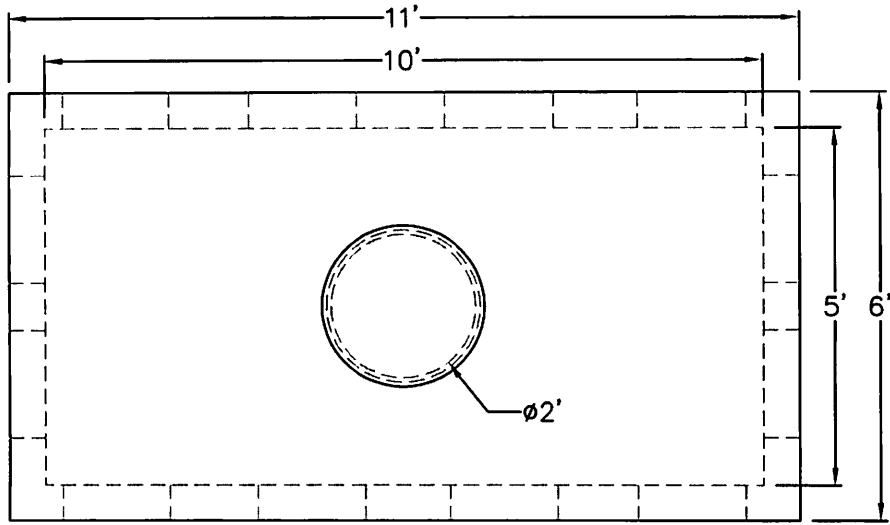
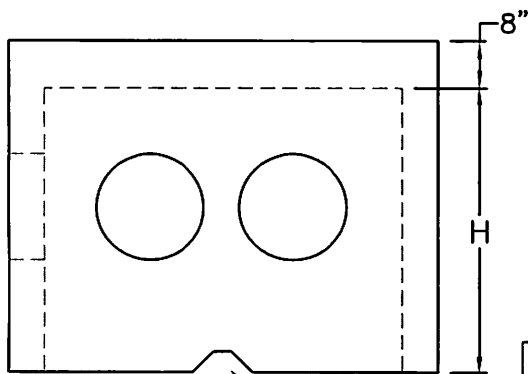


5' X 10' GALLEY



3" x 6" PORT

HEIGHT (H)	VOLUME (EA)	WEIGHT
2'-0"	125-CF	9,700#
3'-0"	175-CF	12,100#
4'-0"	225-CF	14,500#



3" x 6" PORT

DESIGN NOTES:

1. CONCRETE 5,000 PSI. @ 28 DAYS
2. HS-20-44 LOADING WITH 12" TO 60" OF COVER
3. REINFORCING ASTM A-615 GRADE 60



120 CLAY PIT ROAD
MARSHFIELD, MA 02050
PHONE # 1-800-440-0009
FAX # 781-837-4320

CONTRACTOR:

JOB NAME:

DATE:

APPROVED BY:

DRAWING BY: C. J. SCOTT

