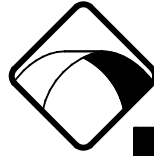
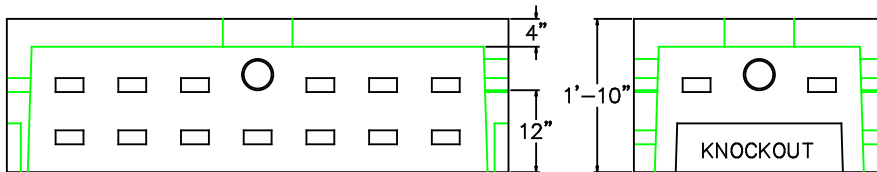
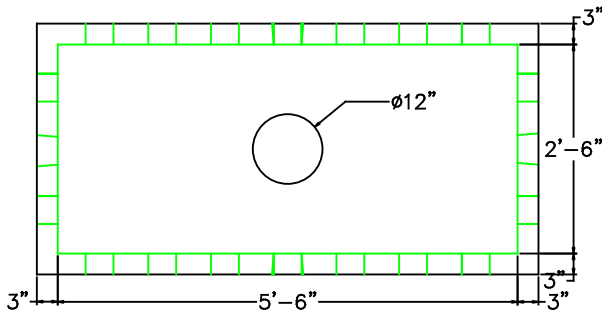
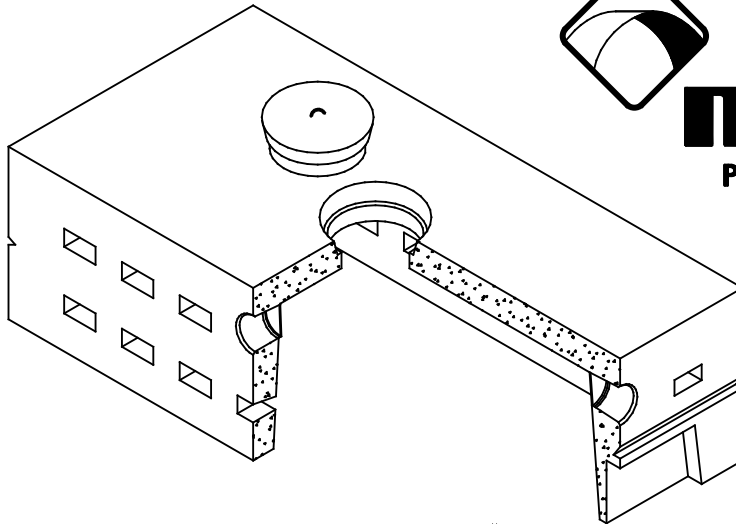


LC-6 LEACHING CHAMBER



NPCA

Precast ... The Concrete Solution.



DESIGN NOTES:

1. CONCRETE 4,000 P.S.I. @28 DAYS
2. LOAD RATING IS H-20 W/ MINIMUM OF 12" COVER
3. REINFORCING ASTM A-615 GRADE 60



SCITUATE RAY PRECAST
 120 CLAY PIT ROAD
 MARSHFIELD, MA 02050
 PHONE # 1-800-440-0009
 FAX # 781-837-4320

CONTRACTOR:

JOB NAME:

DATE:

DRAWING: SRP-LC6

DRAWING BY: C.J. SCOTT

WWW.SCITUATECOMPANIES.COM