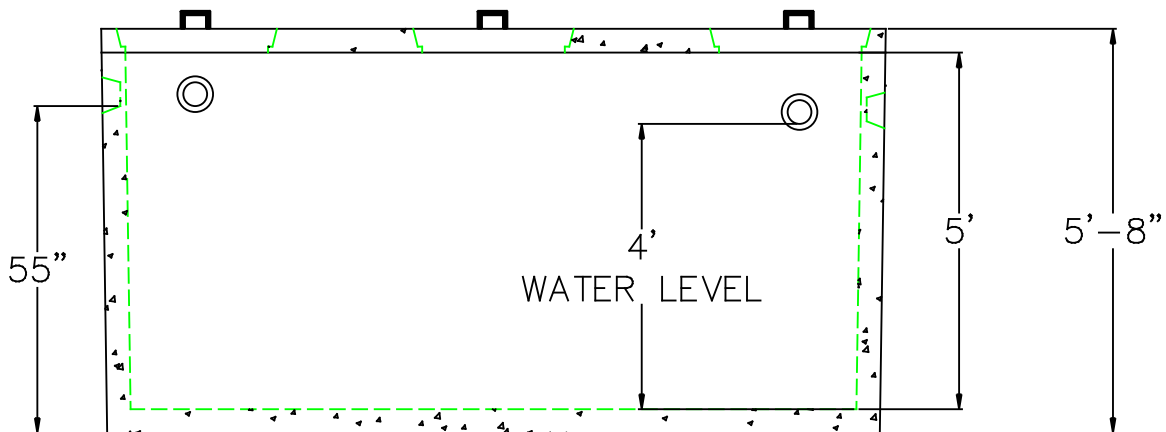
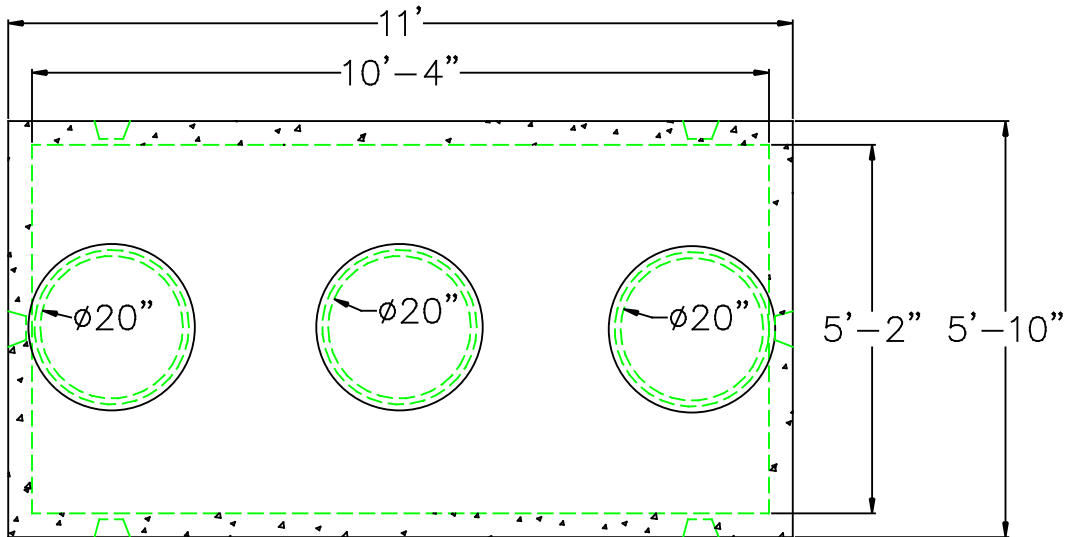


# 1,500 GALLON MONOLITHIC



**DESIGN NOTES:**

1. CONCRETE 5,000 PSI. @ 28 DAYS
2. HS-10 LOADING WITH 12" TO 60" OF COVER
3. REINFORCING ASTM A-615 GRADE 60
4. CONST. JOINT TO HAVE MIN. 1" BUTYL SEALANT

	FLOOR	VERT. FT	COVER
WEIGHT	3,995 lbs.	1,580 lbs.	3,995 lbs.
VOLUME		254 gal.	



**NPCC**  
Precast ... The Concrete Solution.



SCITUATE RAY PRECAST  
120 CLAY PIT ROAD  
MARSHFIELD, MA 02050  
PHONE # 1-800-440-0009  
FAX # 781-837-4320

CONTRACTOR:

JOB NAME:

DATE:

DRAWING: SRP-ST1.5KM

DRAWING BY: C. J. SCOTT