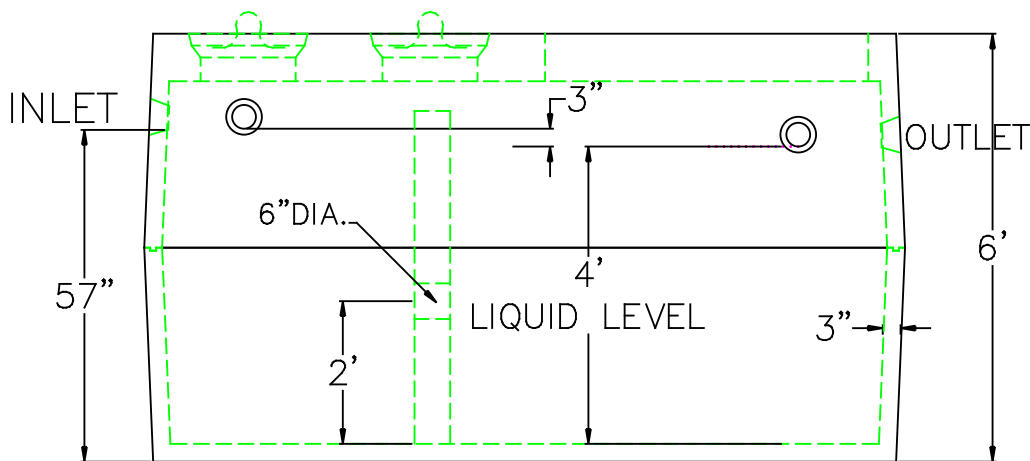
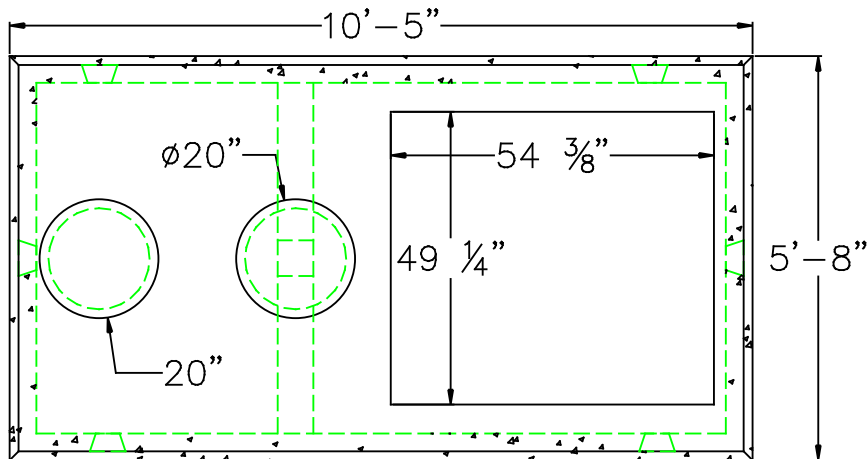


# 1,500 GALLON SINGLE HOME FAST TANK



## DESIGN NOTES:

1. CONCRETE 4,000 PSI @ 28 DAYS
2. TANK COMPLETELY REINFORCED
3. TOP & BOTTOM MATCHING KEY JOINT
4. AVAILABLE IN H-10 & H.D. TOPS

	FLOOR	VERT. FT	COVER
WEIGHT	2,200 lbs.	1,150 lbs.	3,600 lbs.
VOLUME		375 gal.	



**NPCA**

Precast ... The Concrete Solution.



SCITUATE RAY PRECAST  
120 CLAY PIT ROAD  
MARSHFIELD, MA 02050  
PHONE # 1-800-440-0009  
FAX # 781-837-4320

CONTRACTOR:

JOB NAME:

DATE:

DRAWING: SRP-MACRO

DRAWING BY: C. J. SCOTT

[WWW.SCITUATECOMPANIES.COM](http://WWW.SCITUATECOMPANIES.COM)